

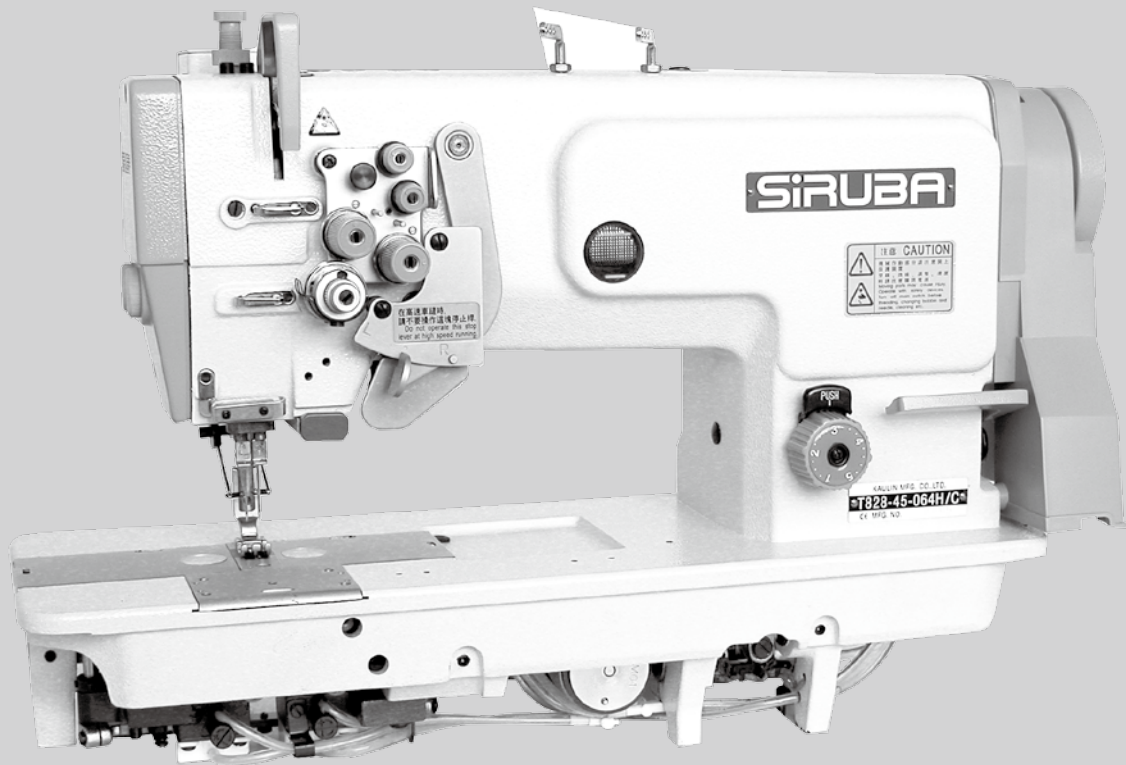
SIRUBA®

銀箭牌工業用縫紉機

INDUSTRIAL SEWING MACHINE

T828

零件圖 PARTS LIST



CE



高林股份有限公司
KAULIN MFG. CO., LTD.

									
MODEL	OPERATING PANEL	SUB-CLASS	NEEDLE PLATE	FEED DOG	NEEDLE CLAMP	PRESSER FOOT	HOOK	BOBBIN	NEEDLE
機 型	操作盒	規 格	針 板	下送具	針 釧	押 具	旋 梭	梭 子	針 號
T828-42-032ML		1/8" (3.2)	E734	D734/P	M734	P734/S	G161	G307	DPX5#14
T828-42-048ML		3/16" (4.8)	E736	D736/P	M736	P736/S	G161	G307	DPX5#14
T828-42-064ML		1/4" (6.4)	E730	D730/P	M730	P730/S	G161	G307	DPX5#14
T828-42-032M		1/8" (3.2)	E734	D734/P	M734	P734/S	G162-A (G162+G406)	G307	DPX5#14
T828-42-048M		3/16" (4.8)	E736	D736/P	M736	P736/S	G162-A (G162+G406)	G307	DPX5#14
T828-42-064M		1/4" (6.4)	E730	D730/P	M730	P730/S	G162-A (G162+G406)	G307	DPX5#14
T828-42-032HL		1/8" (3.2)	E762	D734/P	M734	P734/S	G167	G307	DPX5#22
T828-42-048HL		3/16" (4.8)	E761	D736Q	M736	P736/S	G167	G307	DPX5#22
T828-42-064HL		1/4" (6.4)	E760	D730Q	M730	P730/S	G167	G307	DPX5#22
T828-42-032H		1/8" (3.2)	E762	D734/P	M734	P734/S	G162-A (G162+G406)	G307	DPX5#22
T828-42-048H		3/16" (4.8)	E761	D736Q	M736	P736/S	G162-A (G162+G406)	G307	DPX5#22
T828-42-064H		1/4" (6.4)	E760	D730Q	M730	P730/S	G162-A (G162+G406)	G307	DPX5#22
T828-42-032ML/C	C300M-A2	1/8" (3.2)	E754-A	D754	M734	P754/S	G163	G307	DPX5#14
T828-42-048ML/C	C300M-A2	3/16" (4.8)	E766-A	D766	M736	P766/S	G163	G307	DPX5#14
T828-42-064ML/C	C300M-A2	1/4" (6.4)	E745-A	D745	M730	P745/S	G163	G307	DPX5#14
T828-42-032M/C	C300M-A2	1/8" (3.2)	E754-A	D754	M734	P754/S	G164-A (G164+G406)	G307	DPX5#14
T828-42-048M/C	C300M-A2	3/16" (4.8)	E766-A	D766	M736	P766/S	G164-A (G164+G406)	G307	DPX5#14
T828-42-064M/C	C300M-A2	1/4" (6.4)	E745-A	D745	M730	P745/S	G164-A (G164+G406)	G307	DPX5#14

規格件表 CONVERSION CHART

規格件表 CONVERSION CHART

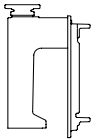
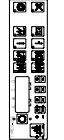


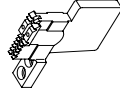
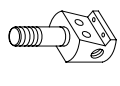
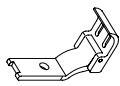
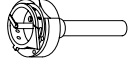


									
MODEL	OPERATING PANEL	SUB-CLASS	NEEDLE PLATE	FEED DOG	NEEDLE CLAMP	PRESSER FOOT	HOOK	BOBBIN	NEEDLE
機 型	操作盒	規 格	針 板	下送具	針 釗	押 具	旋 梭	梭 子	針 號
T828-42-032HL/C	C300M-A2	1/8" (3.2)	E788-A	D788	M734	P754/S	G163	G307	DPX5#22
T828-42-048HL/C	C300M-A2	3/16" (4.8)	E787-A	D787	M736	P766/S	G163	G307	DPX5#22
T828-42-064HL/C	C300M-A2	1/4" (6.4)	E786-A	D786	M730	P745/S	G163	G307	DPX5#22
T828-42-032H/C	C300M-A2	1/8" (3.2)	E788-A	D788	M734	P754/S	G164-A (G164+G406)	G307	DPX5#22
T828-42-048H/C	C300M-A2	3/16" (4.8)	E787-A	D787	M736	P766/S	G164-A (G164+G406)	G307	DPX5#22
T828-42-064H/C	C300M-A2	1/4" (6.4)	E786-A	D786	M730	P745/S	G164-A (G164+G406)	G307	DPX5#22
T828-42-040VL/C	C300M-A2	5/32" (4.0)	E755P-A	D755P	M735P-E	P775P	G163	G307	DPX5#14
T828-42-048VL/C	C300M-A2	3/16" (4.8)	E766P-A	D766P	M766P-E	P766P	G163	G307	DPX5#14
T828-42-127KL/C	C301-A	1/2" (12.7)	E763-A	D763	M763	P763	G163	G307	DPX5#14
T828-45-032M		1/8" (3.2)	E762	D734/P	M0032R M0032L	P734/S	G169-A (G169+G409)	G307	DPX5#14
T828-45-048M		3/16" (4.8)	E761	D736/P	M0048R M0048L	P736/S	G169-A (G169+G409)	G307	DPX5#14
T828-45-064M		1/4" (6.4)	E760	D730/P	M0064R M0064L	P730/S	G169-A (G169+G409)	G307	DPX5#14
T828-45-032H		1/8" (3.2)	E762	D734/P	M0032R M0032L	P734/S	G169-A (G169+G409)	G307	DPX5#22
T828-45-048H		3/16" (4.8)	E761	D736Q	M0048R M0048L	P736/S	G169-A (G169+G409)	G307	DPX5#22
T828-45-064H		1/4" (6.4)	E760	D730Q	M0064R M0064L	P730/S	G169-A (G169+G409)	G307	DPX5#22
T828-45-032M/C	C300M-A2	1/8" (3.2)	E788-A	D754	M0032R M0032L	P754/S	G170-A (G170+G410)	G307	DPX5#14
T828-45-048M/C	C300M-A2	3/16" (4.8)	E787-A	D766	M0048R M0048L	P766/S	G170-A (G170+G410)	G307	DPX5#14
T828-45-064M/C	C300M-A2	1/4" (6.4)	E786-A	D745	M0064R M0064L	P745/S	G170-A (G170+G410)	G307	DPX5#14

									
MODEL	OPERATING PANEL	SUB-CLASS	NEEDLE PLATE	FEED DOG	NEEDLE CLAMP	PRESSER FOOT	HOOK	BOBBIN	NEEDLE
機 型	操作盒	規 格	針 板	下送具	針 釧	押 具	旋 梭	梭 子	針 號
T828-45-032H/C	C300M-A2	1/8" (3.2)	E788-A	D788	M0032R M0032L	P754/S	G170-A (G170+G410)	G307	DPX5#22
T828-45-048H/C	C300M-A2	3/16" (4.8)	E787-A	D787	M0048R M0048L	P766/S	G170-A (G170+G410)	G307	DPX5#22
T828-45-064H/C	C300M-A2	1/4" (6.4)	E786-A	D786	M0064R M0064L	P745/S	G170-A (G170+G410)	G307	DPX5#22
T828-47-032LL		1/8" (3.2)	E791	D791	M734	P791/S	G161	G307	DPX5#11
T828-47-048LL		3/16" (4.8)	E790	D790	M736	P790/S	G161	G307	DPX5#11
T828-47-064LL		1/4" (6.4)	E789	D789	M730	P789/S	G161	G307	DPX5#11
T828-47-032L		1/8" (3.2)	E791	D791	M734	P791/S	G162-A (G162+G406)	G307	DPX5#11
T828-47-048L		3/16" (4.8)	E790	D790	M736	P790/S	G162-A (G162+G406)	G307	DPX5#11
T828-47-064L		1/4" (6.4)	E789	D789	M730	P789/S	G162-A (G162+G406)	G307	DPX5#11
T828-47-032LL/C	C300M-A2	1/8" (3.2)	E794-A	D794	M734	P791A	G163	G307	DPX5#11
T828-47-048LL/C	C300M-A2	3/16" (4.8)	E793-A	D793	M736	P790A	G163	G307	DPX5#11
T828-47-064LL/C	C300M-A2	1/4" (6.4)	E792-A	D792	M730	P789A	G163	G307	DPX5#11
T828-47-032L/C	C300M-A2	1/8" (3.2)	E794-A	D794	M734	P791A	G164-A (G164+G406)	G307	DPX5#11
T828-47-048L/C	C300M-A2	3/16" (4.8)	E793-A	D793	M736	P790A	G164-A (G164+G406)	G307	DPX5#11
T828-47-064L/C	C300M-A2	1/4" (6.4)	E792-A	D792	M730	P789A	G164-A (G164+G406)	G307	DPX5#11
T828-48-032L		1/8" (3.2)	E791	D791	M0032R M0032L	P791/S	G169-A (G169+G409)	G307	DPX5#11
T828-48-048L		3/16" (4.8)	E790	D790	M0048R M0048L	P790/S	G169-A (G169+G409)	G307	DPX5#11
T828-48-064L		1/4" (6.4)	E789	D789	M0064R M0064L	P789/S	G169-A (G169+G409)	G307	DPX5#11

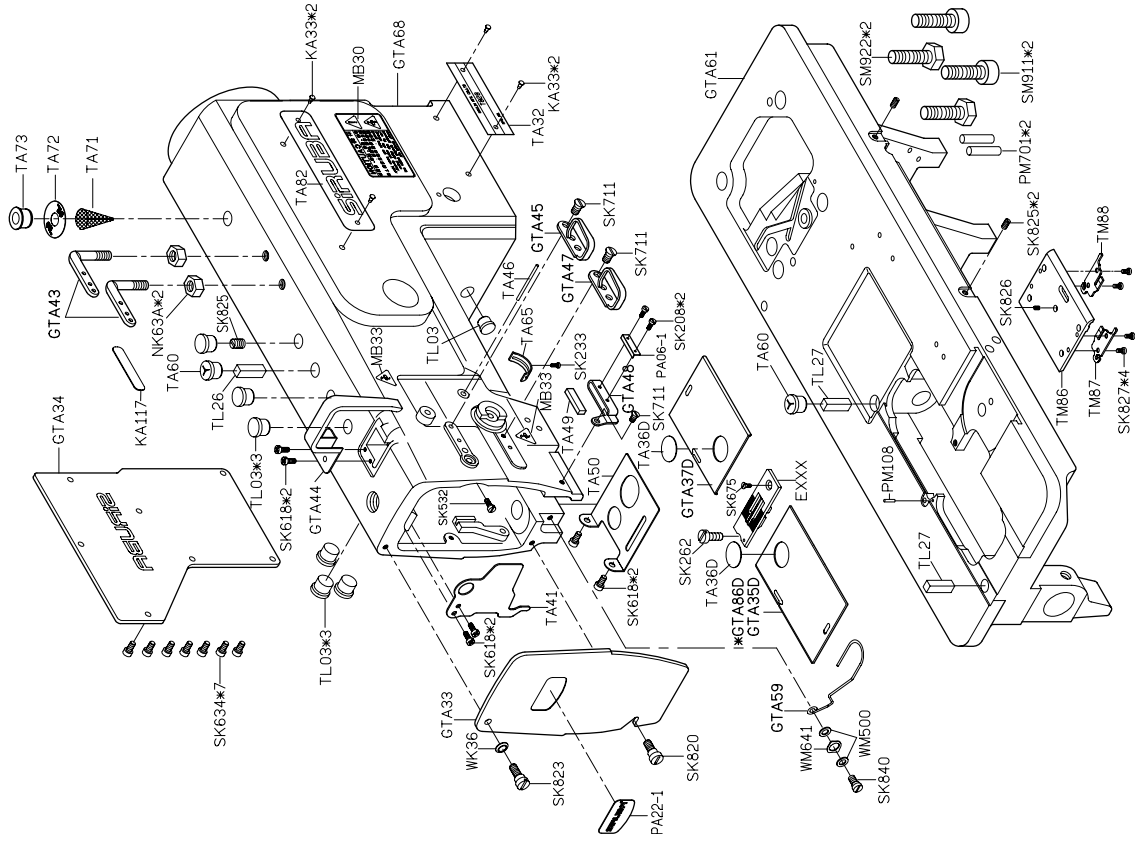
規格件表 CONVERSION CHART

規格件表 CONVERSION CHART

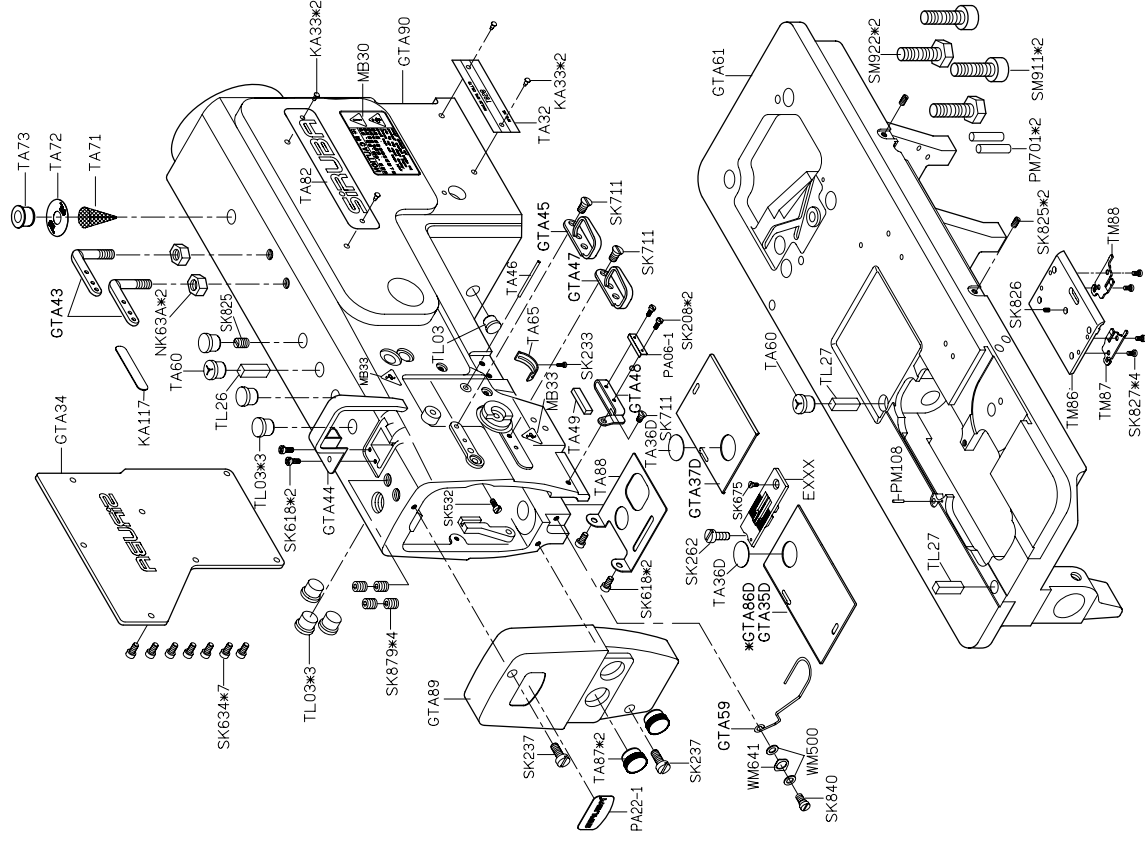
									
MODEL	OPERATING PANEL	SUB-CLASS	NEEDLE PLATE	FEED DOG	NEEDLE CLAMP	PRESSER FOOT	HOOK	BOBBIN	NEEDLE
機 型	操作盒	規 格	針 板	下送具	針 釧	押 具	旋 梭	梭 子	針 號
T828-48-032L/C	C300M-A2	1/8"(3.2)	E794-A	D794	M0032R M0032L	P791A	G170-A (G170+G410)	G307	DPX5#11
T828-48-048L/C	C300M-A2	3/16"(4.8)	E793-A	D793	M0048R M0048L	P790A	G170-A (G170+G410)	G307	DPX5#11
T828-48-064L/C	C300M-A2	1/4"(6.4)	E792-A	D792	M0064R M0064L	P789A	G170-A (G170+G410)	G307	DPX5#11
T828-72-032ML		1/8"(3.2)	E762	D734/P	M734	P762/S	G165	G310	DPX5#14
T828-72-048ML		3/16"(4.8)	E761	D736/P	M736	P761/S	G165	G310	DPX5#14
T828-72-064ML		1/4"(6.4)	E760	D730/P	M730	P760/S	G165	G310	DPX5#14
T828-72-032HL		1/8"(3.2)	E762	D734/P	M734	P762/S	G165	G310	DPX5#22
T828-72-048HL		3/16"(4.8)	E761	D736Q	M736	P761/S	G165	G310	DPX5#22
T828-72-064HL		1/4"(6.4)	E760	D730Q	M730	P760/S	G165	G310	DPX5#22
T828-72-032M/C	C300M-A2	1/8"(3.2)	E788-A	D754	M734	P762/S	G168-A (G168+G411)	G310	DPX5#14
T828-72-048M/C	C300M-A2	3/16"(4.8)	E787-A	D766	M736	P761/S	G168-A (G168+G411)	G310	DPX5#14
T828-72-064M/C	C300M-A2	1/4"(6.4)	E786-A	D745	M730	P760/S	G168-A (G168+G411)	G310	DPX5#14
T828-72-032H/C	C300M-A2	1/8"(3.2)	E788-A	D788	M734	P762/S	G168-A (G168+G411)	G310	DPX5#22
T828-72-048H/C	C300M-A2	3/16"(4.8)	E787-A	D787	M736	P761/S	G168-A (G168+G411)	G310	DPX5#22
T828-72-064H/C	C300M-A2	1/4"(6.4)	E786-A	D786	M730	P760/S	G168-A (G168+G411)	G310	DPX5#22
T828-75-032M		1/8"(3.2)	E762	D734/P	M0032R M0032L	P762/S	G166-A (G166+G407)	G310	DPX5#14
T828-75-048M		3/16"(4.8)	E761	D736/P	M0048R M0048L	P761/S	G166-A (G166+G407)	G310	DPX5#14
T828-75-064M		1/4"(6.4)	E760	D730/P	M0064R M0064L	P760/S	G166-A (G166+G407)	G310	DPX5#14

									
MODEL	OPERATING PANEL	SUB-CLASS	NEEDLE PLATE	FEED DOG	NEEDLE CLAMP	PRESSER FOOT	HOOK	BOBBIN	NEEDLE
機 型	操作盒	規 格	針 板	下送具	針 釧	押 具	旋 梭	梭 子	針 號
T828-75-032H		1/8"(3.2)	E762	D734/P	M0032R M0032L	P762/S	G166-A (G166+G407)	G310	DPX5#22
T828-75-048H		3/16"(4.8)	E761	D736Q	M0048R M0048L	P761/S	G166-A (G166+G407)	G310	DPX5#22
T828-75-064H		1/4"(6.4)	E760	D730Q	M0064R M0064L	P760/S	G166-A (G166+G407)	G310	DPX5#22
T828-75-032M/C	C300M-A2	1/8"(3.2)	E788-A	D754	M0032R M0032L	P762/S	G168-A1 (G168+G408)	G310	DPX5#14
T828-75-048M/C	C300M-A2	3/16"(4.8)	E787-A	D766	M0048R M0048L	P761/S	G168-A1 (G168+G408)	G310	DPX5#14
T828-75-064M/C	C300M-A2	1/4"(6.4)	E786-A	D745	M0064R M0064L	P760/S	G168-A1 (G168+G408)	G310	DPX5#14
T828-75-032H/C	C300M-A2	1/8"(3.2)	E788-A	D788	M0032R M0032L	P762/S	G168-A1 (G168+G408)	G310	DPX5#22
T828-75-048H/C	C300M-A2	3/16"(4.8)	E787-A	D787	M0048R M0048L	P761/S	G168-A1 (G168+G408)	G310	DPX5#22
T828-75-064H/C	C300M-A2	1/4"(6.4)	E786-A	D786	M0064R M0064L	P760/S	G168-A1 (G168+G408)	G310	DPX5#22

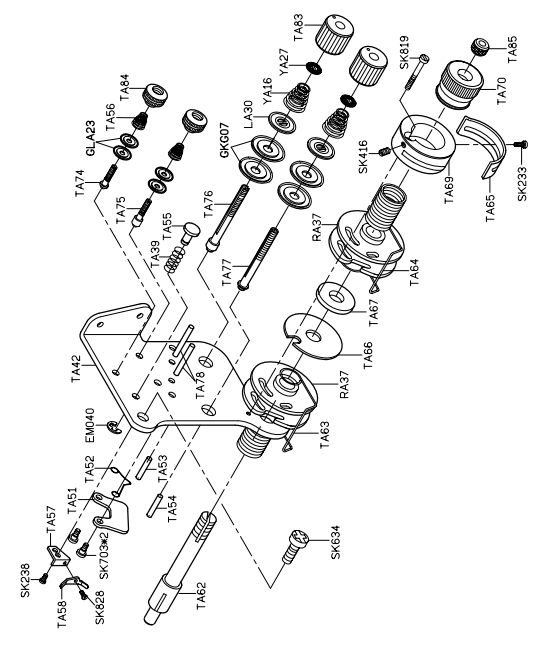
PARTS LIST FOR TA GROUP



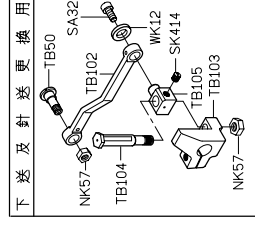
PARTS LIST FOR TA GROUP



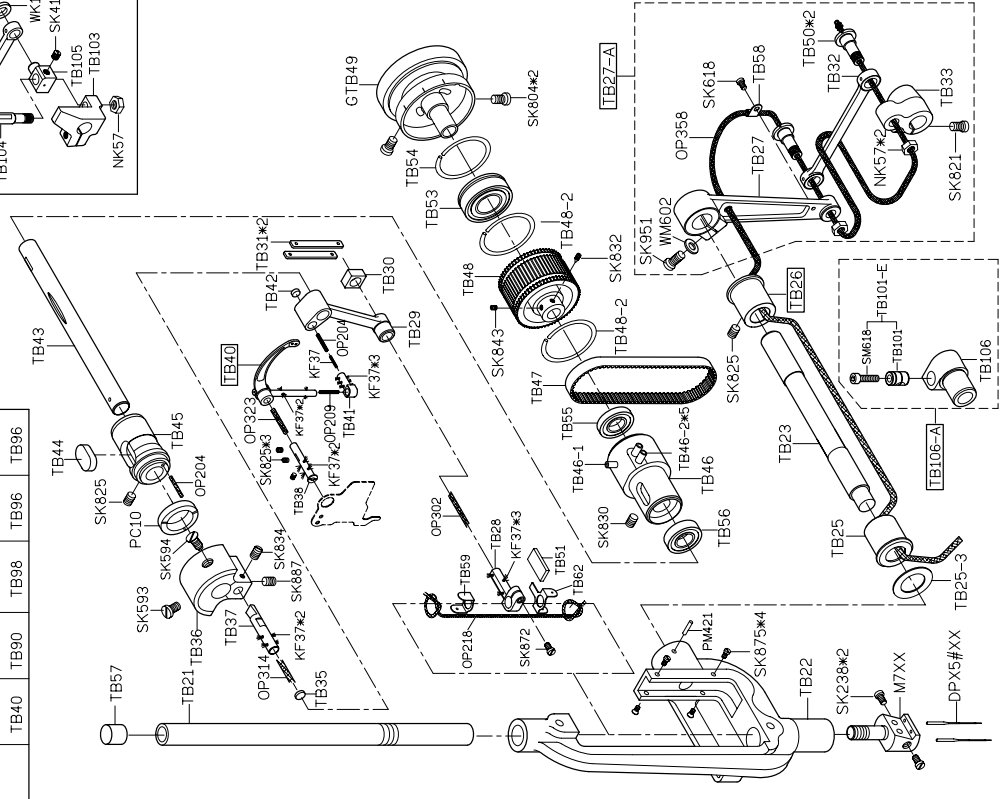
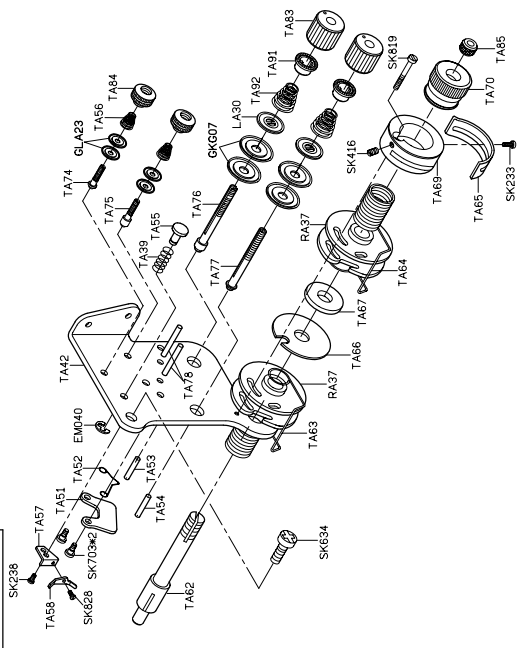
GTA42-A



MODEL	T828-42		T828-47		T828-72	
	M	H	L	M	H	
PARTS NO.	TB26	TB26	TB106-A	TB26	TB26	TB26
	TB27-A	TB27-A		TB27-A	TB27-A	TB27-A
	TB40	TB90		TB98	TB96	TB96
					TB96	TB96



GTA91-A (FOR T828-47/48)



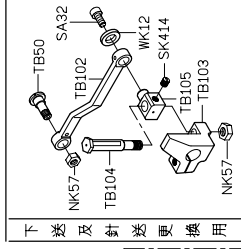
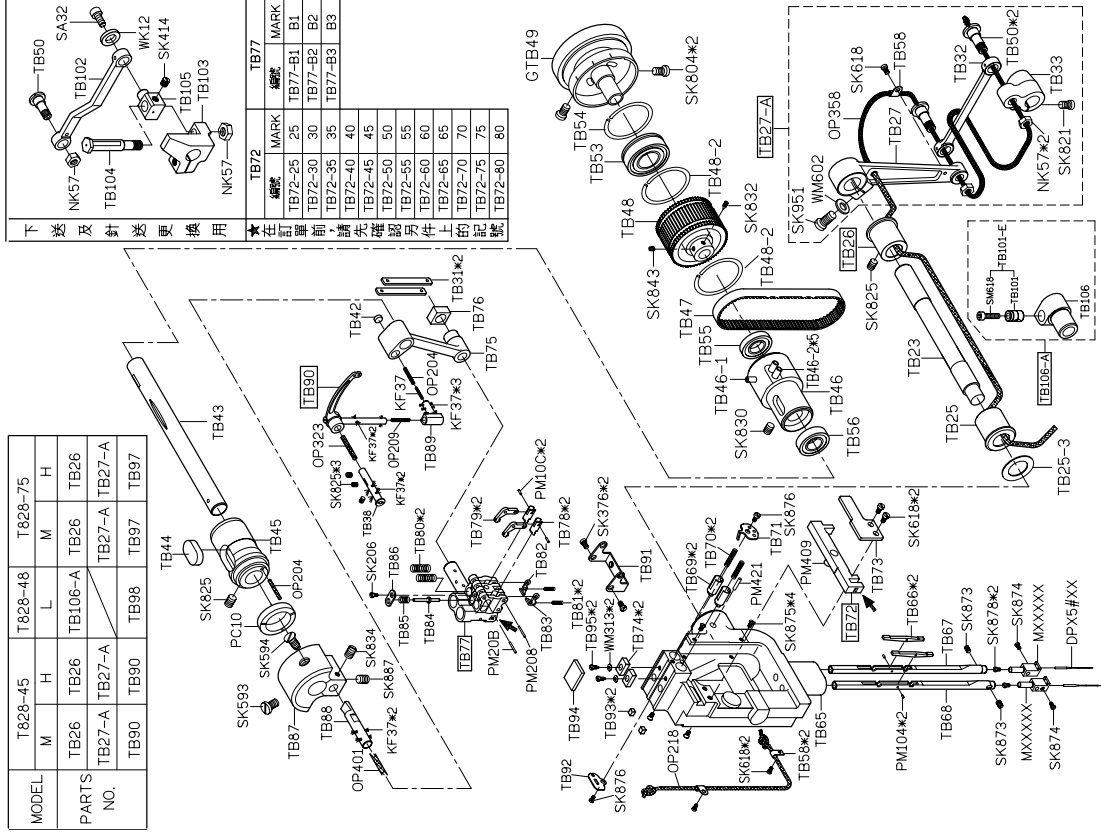
PARTS LIST FOR TA GROUP

PARTS LIST FOR TB GROUP

PARTS LIST FOR TB GROUP

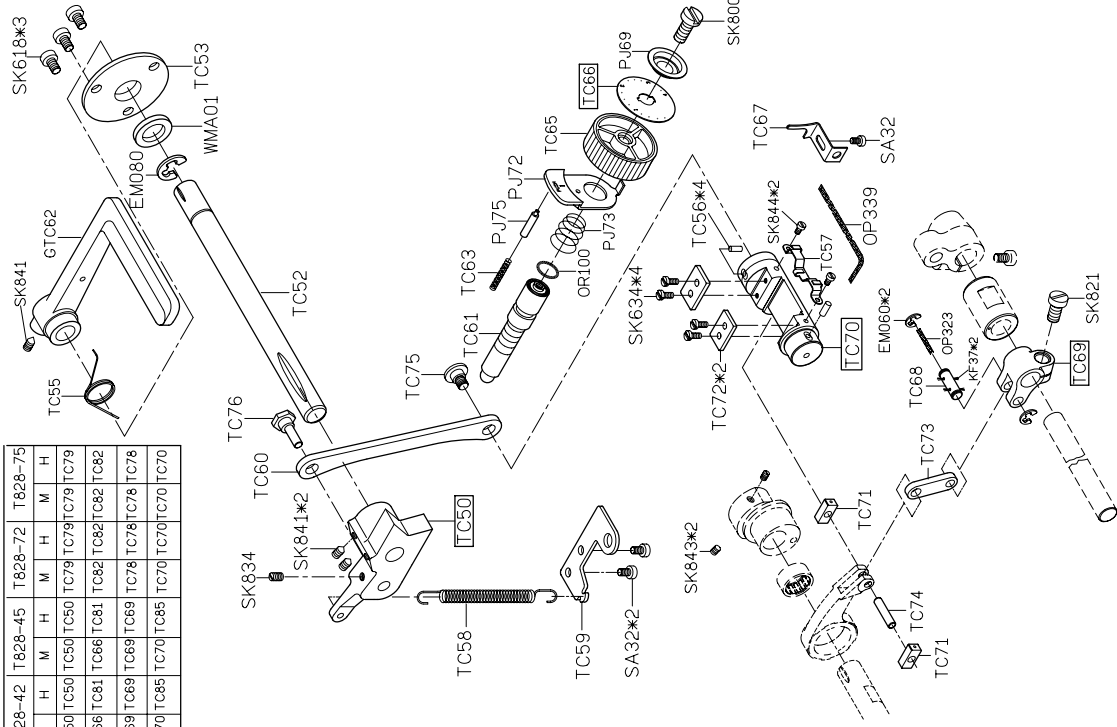
PARTS LIST FOR TC GROUP

MODEL	T828-45		T828-48		T828-75	
	M	H	L	M	H	
PARTS NO.	TB26	TB26	TB106-A	TB26	TB26	
	TB27-A	TB27-A	TB27-A	TB27-A	TB27-A	
	TB90	TB90	TB98	TB97	TB97	

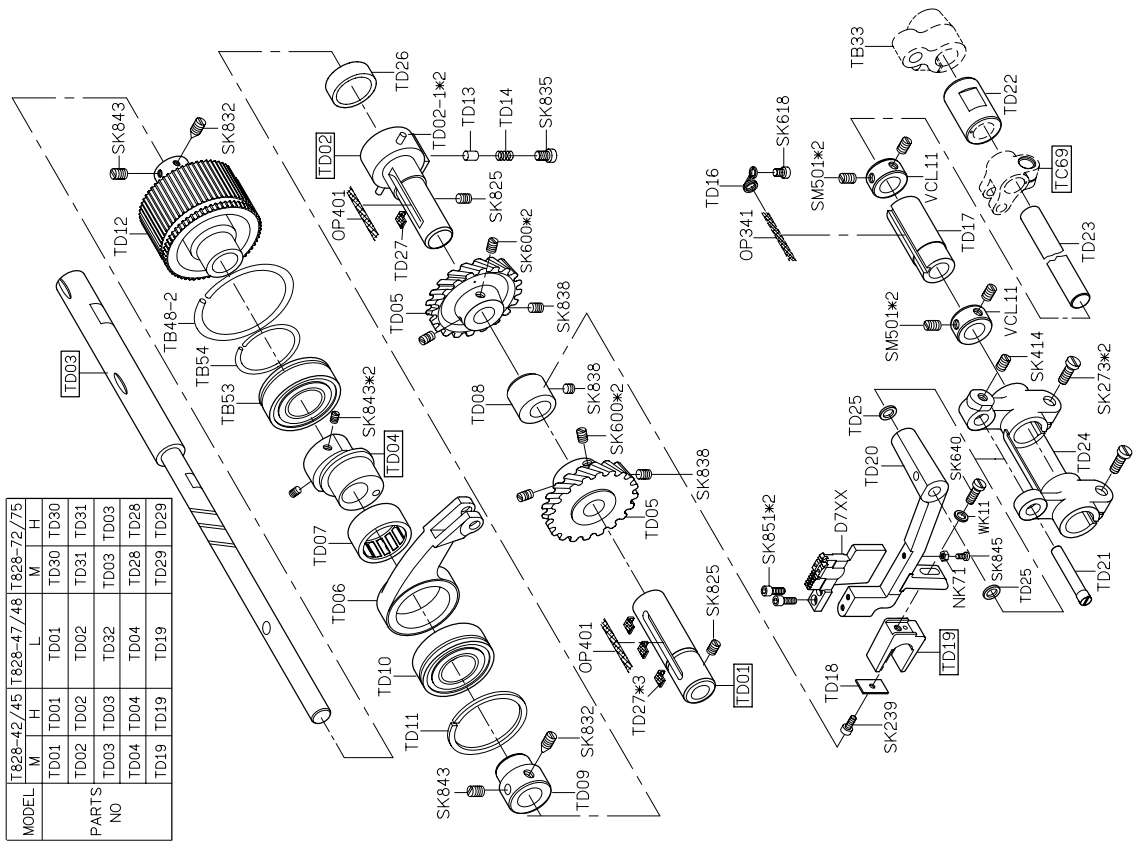


下送及針送更換用	TB72	TB77		
左記	編號	標記		
前部	TB72-25	25	TB77-B1	B1
部	TB72-30	30	TB77-B2	B2
請	TB72-35	35	TB77-B3	B3
先	TB72-40	40		
確	TB72-45	45		
認	TB72-50	50		
另	TB72-55	55		
件	TB72-60	60		
上	TB72-65	65		
的	TB72-70	70		
記	TB72-75	75		
	TB72-80	80		

MODEL	T828-42		T828-45		T828-72		T828-75	
	M	H	M	H	M	H	M	H
PARTS NO.	TC50	TC50	TC79	TC79	TC79	TC79	TC79	TC79
	TC68	TC81	TC68	TC81	TC82	TC82	TC82	TC82
	TC69	TC69	TC69	TC78	TC78	TC78	TC78	TC78
	TC70	TC85	TC70	TC85	TC70	TC70	TC70	TC70

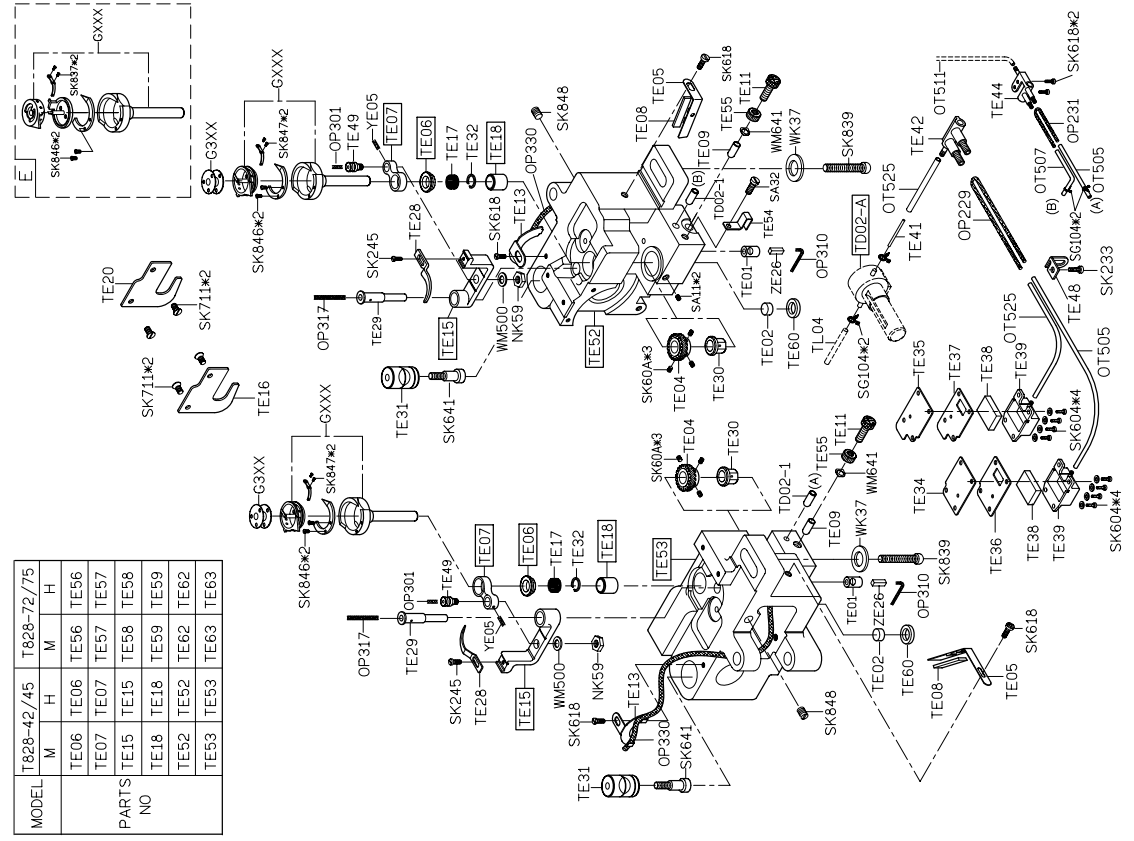


MODEL	T828-42/45	T828-47/48	T828-72/75
PARTS NO	TD01 TD02 TD03 TD04 TD19 TD29 TD29	TD01 TD02 TD03 TD04 TD19 TD29 TD29	TD01 TD02 TD03 TD04 TD19 TD29 TD29



PARTS LIST FOR TD GROUP

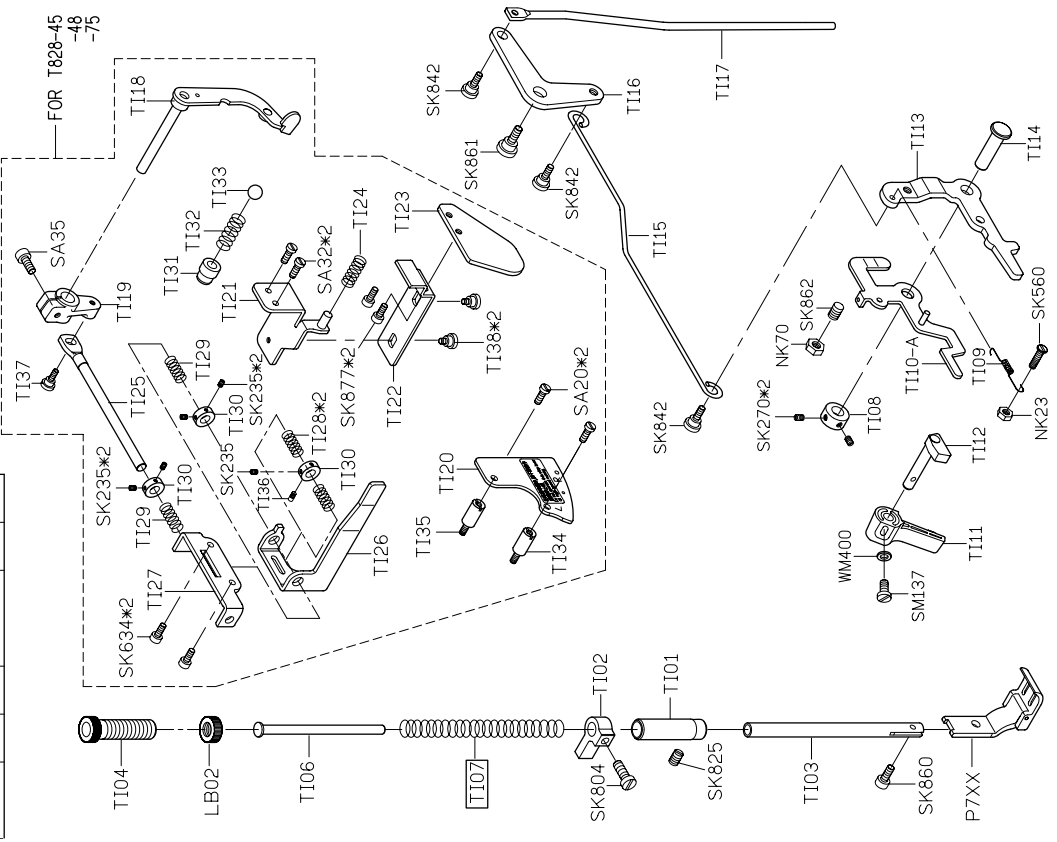
MODEL	T828-42/45	T828-72/75
PARTS NO	TE05 TE06 TE07 TE15 TE18 TE52 TE53	TE05 TE06 TE07 TE15 TE18 TE52 TE53 TE58 TE59 TE62 TE63 TE66



PARTS LIST FOR TE GROUP

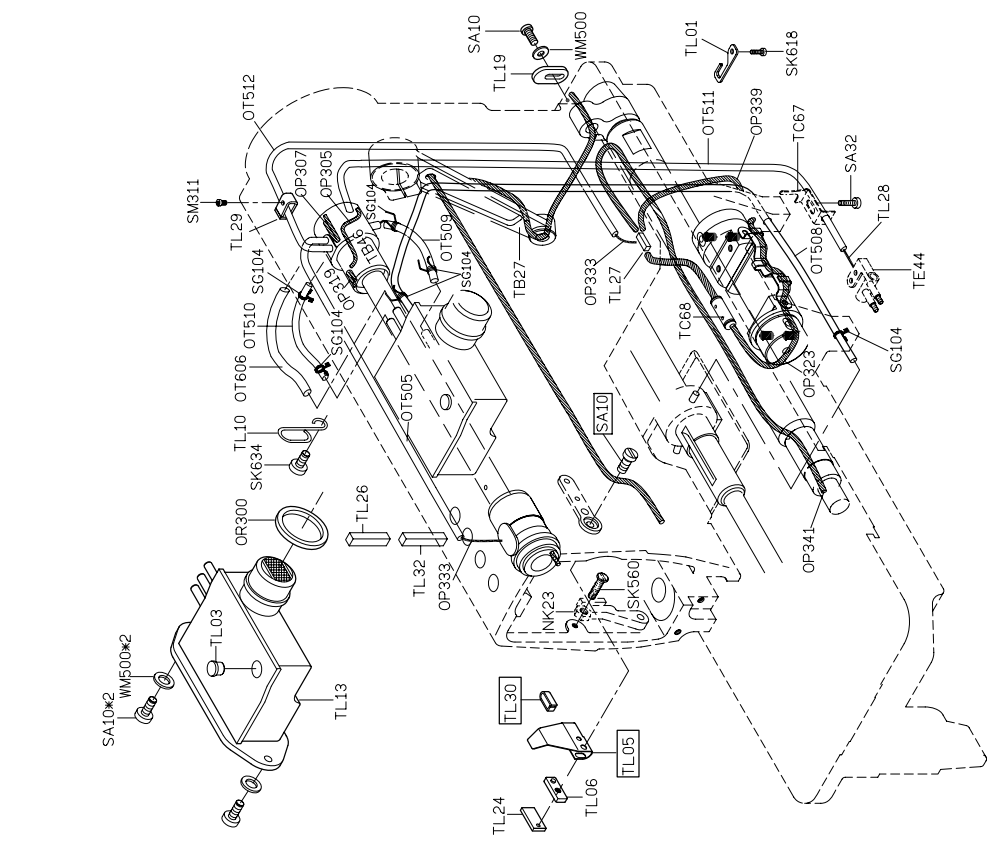
PARTS LIST FOR T1 GROUP

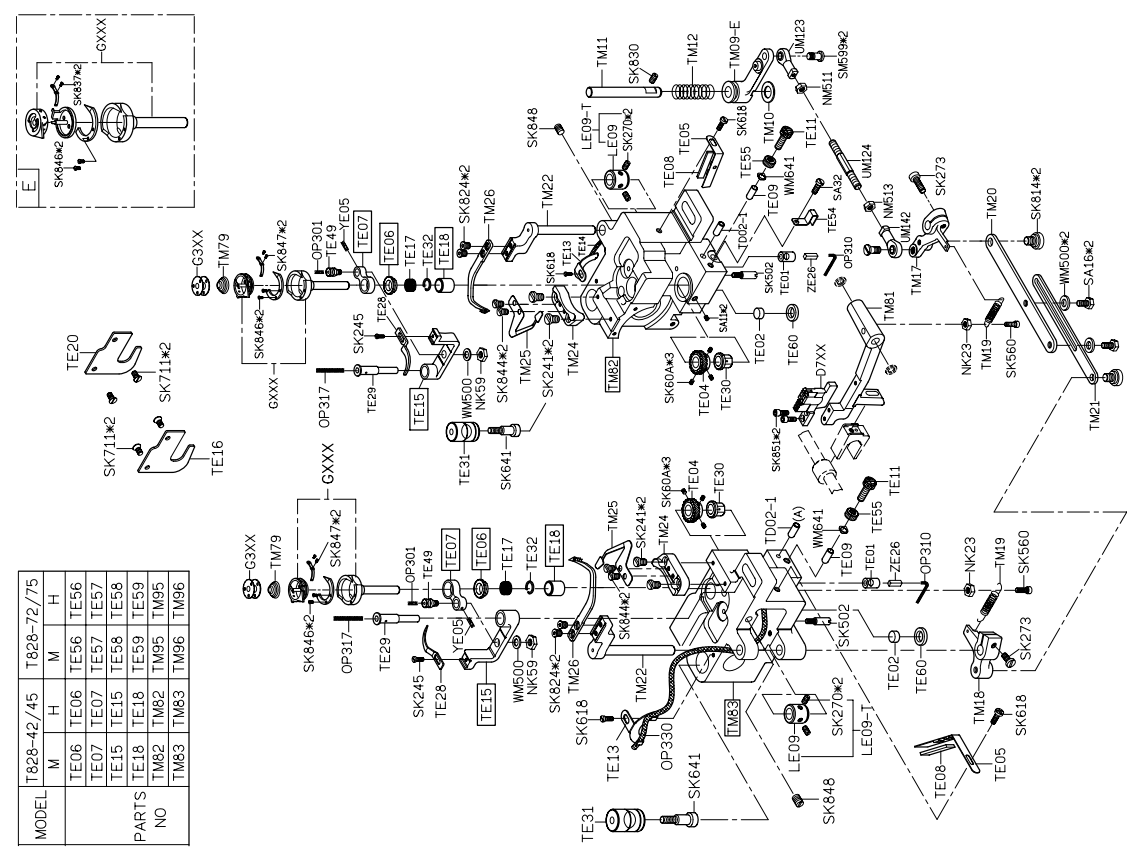
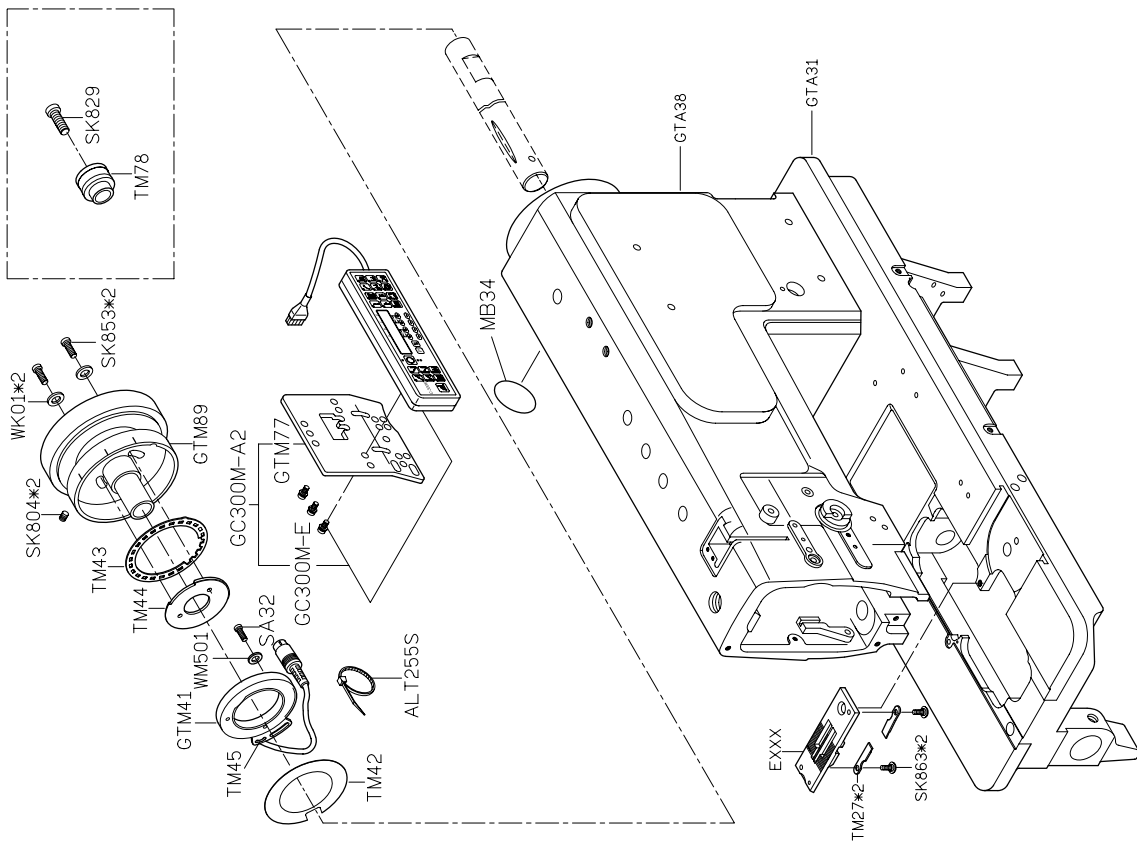
MODEL	T828-42/45	T828-47/48	T828-72/75
PARTS NO	M	L	M
	T107	T145	T107



PARTS LIST FOR TL GROUP

MODEL	T828-42/72	T828-45/75
PARTS NO	M	H
	SA10	SA12
	TL05	TL31



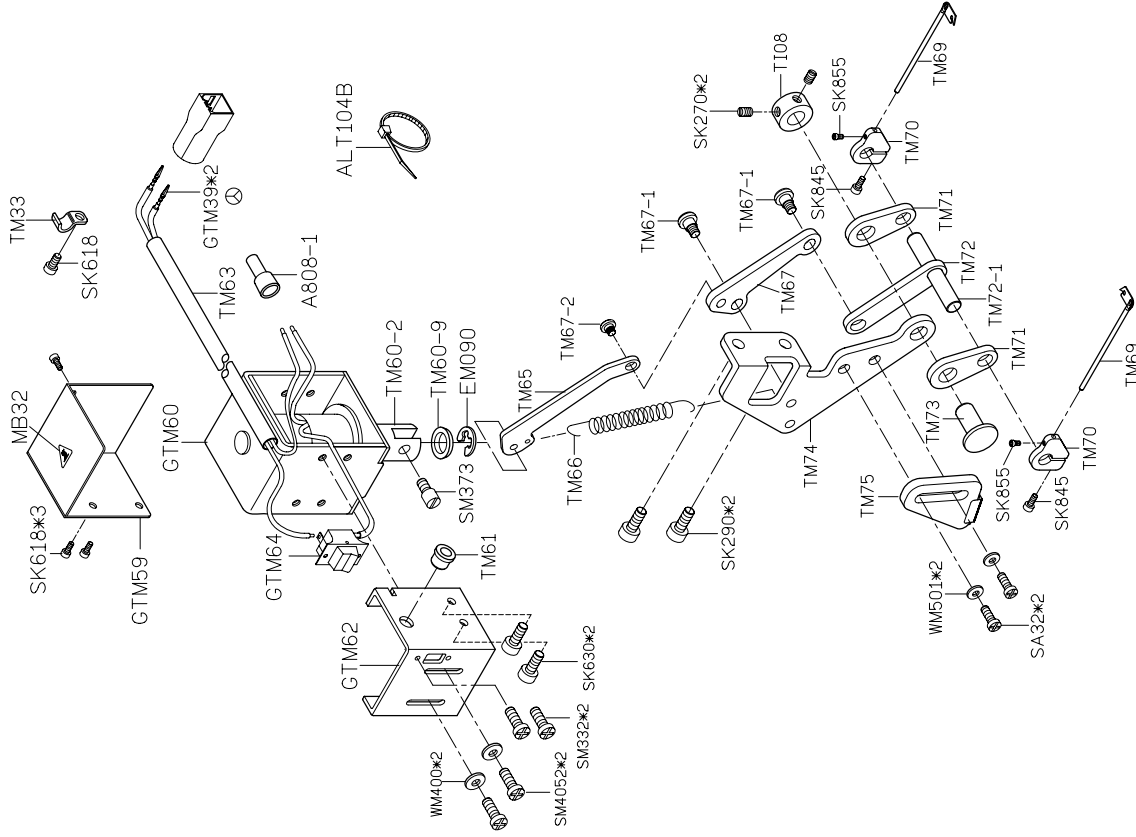
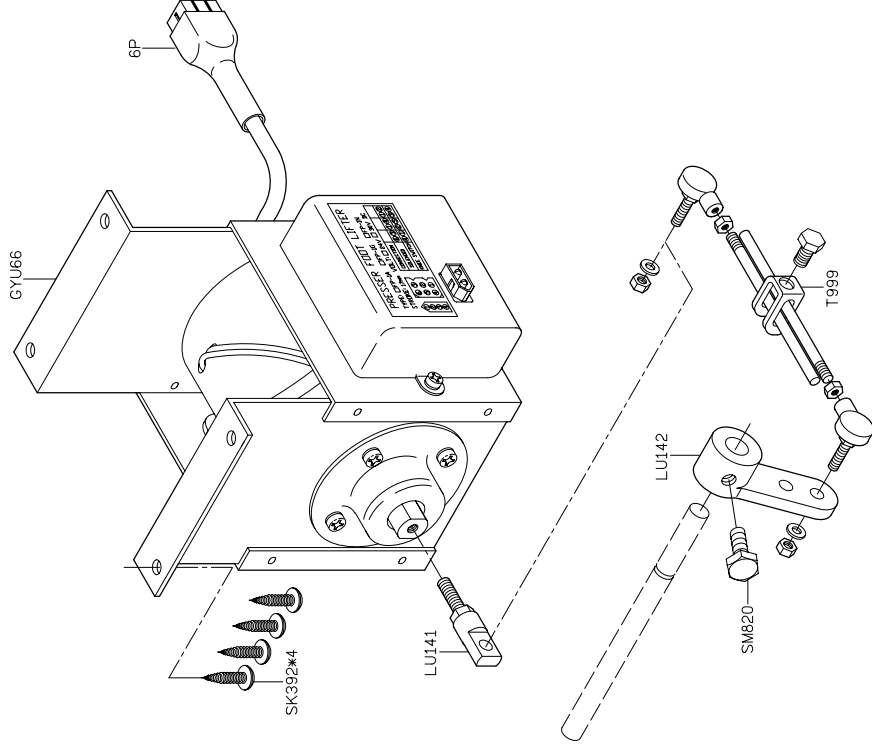


MODEL	T828-42/45	T828-72/75
M	H	M
TE06	TE06	TE56
TE07	TE07	TE57
TE15	TE15	TE58
TE18	TE18	TE59
TM82	TM82	TM95
TM83	TM83	TM96
		TM96

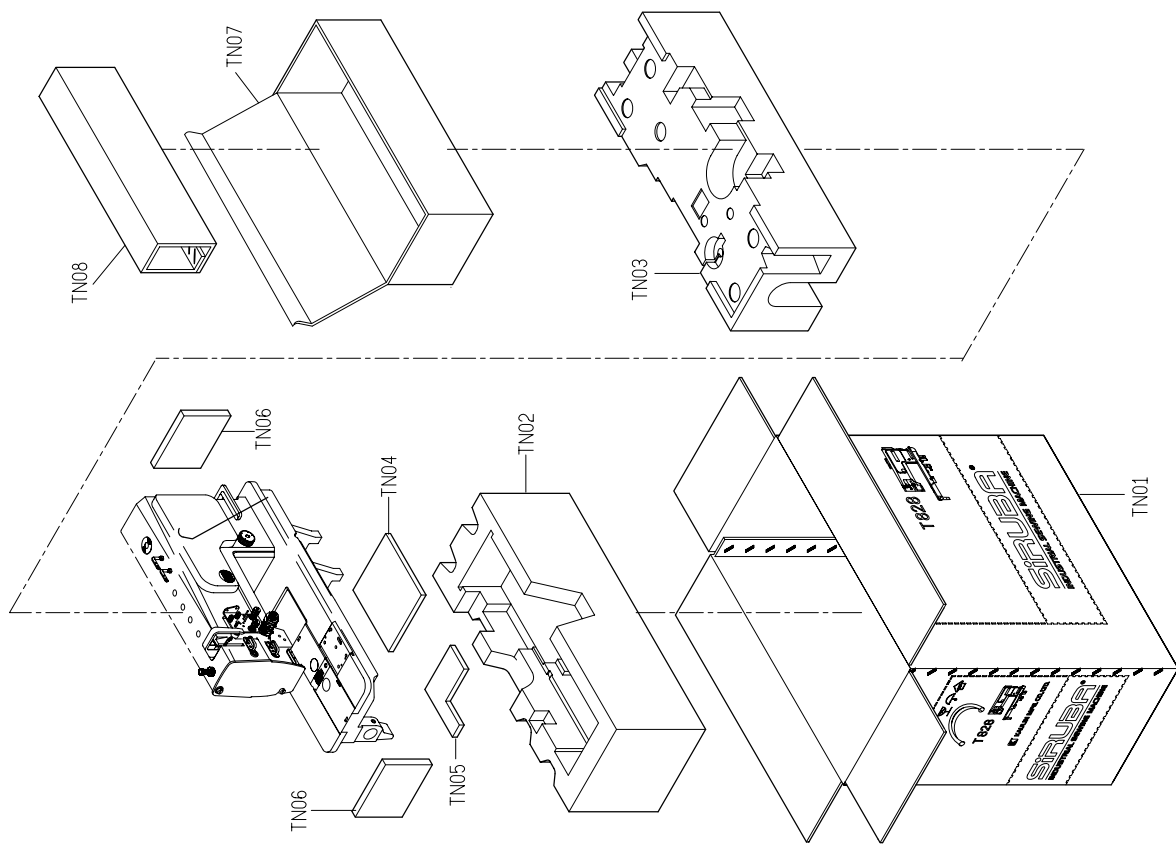
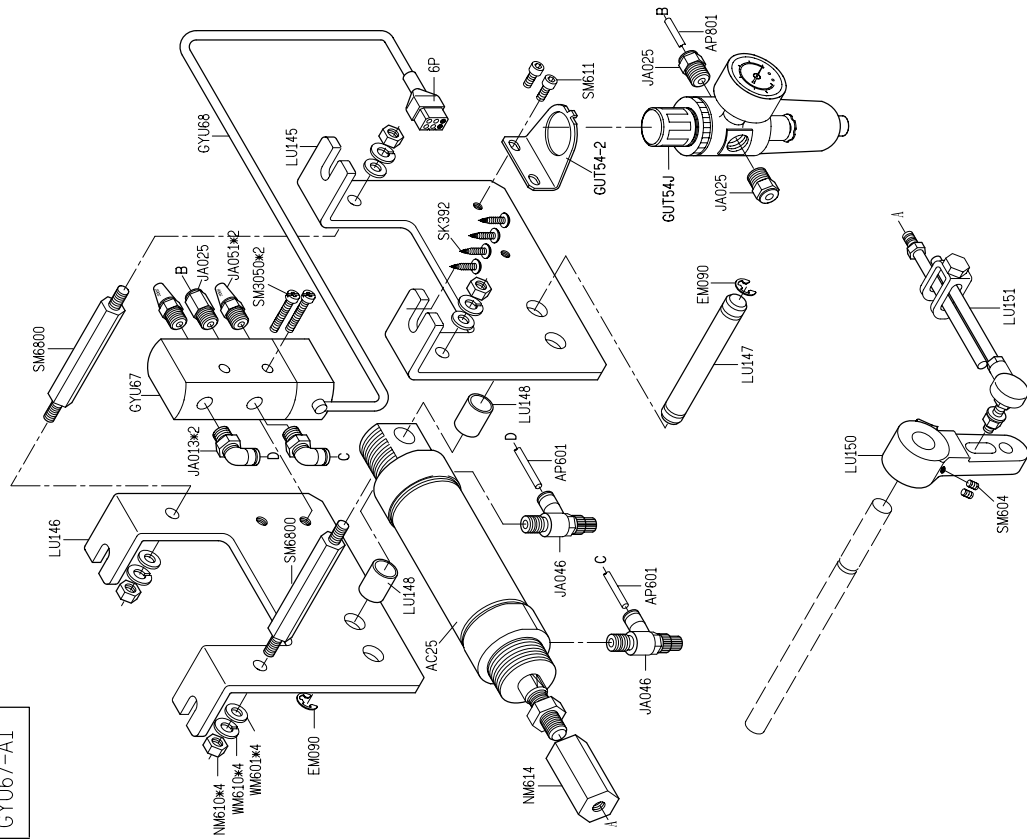
PARTS LIST FOR TM GROUP

PARTS LIST FOR TM GROUP

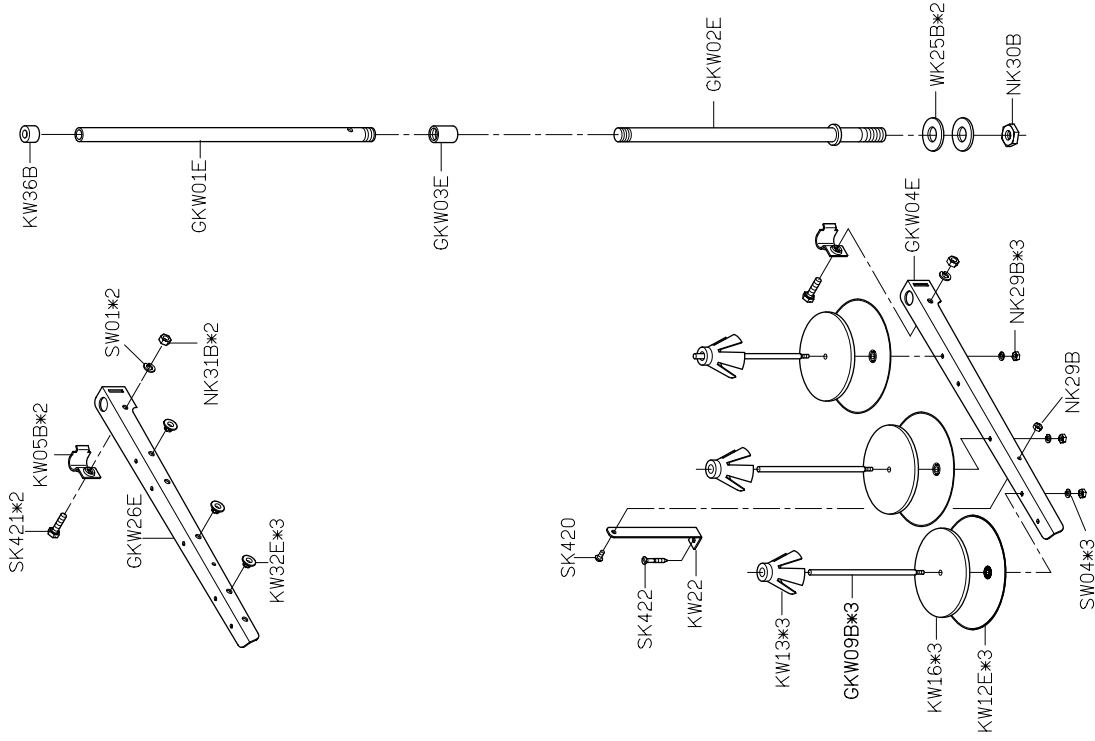
GYU66-A1



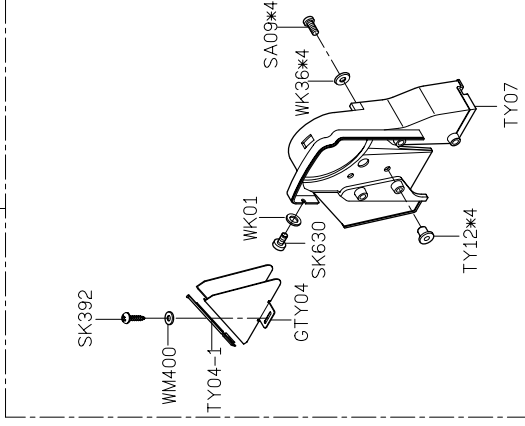
GYU67-A1



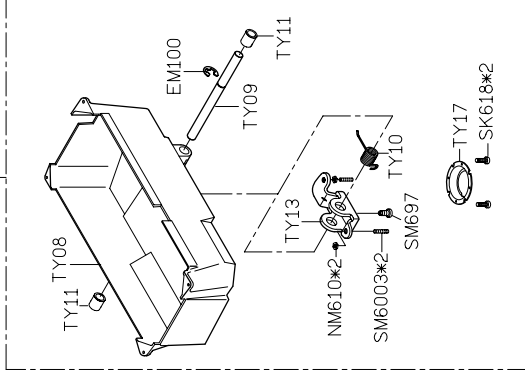
PY11-3



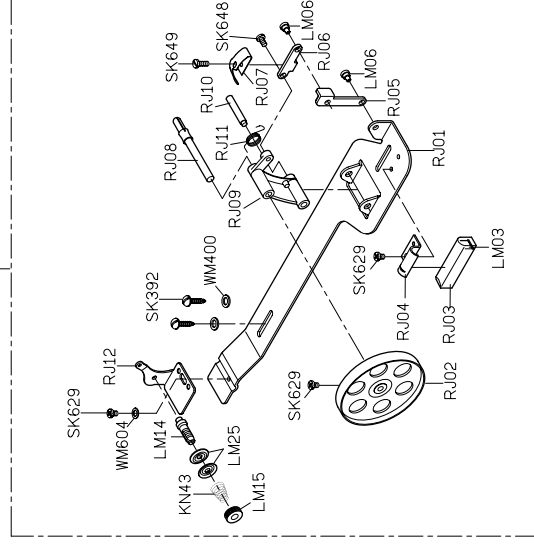
GTY07-A 手輪護蓋



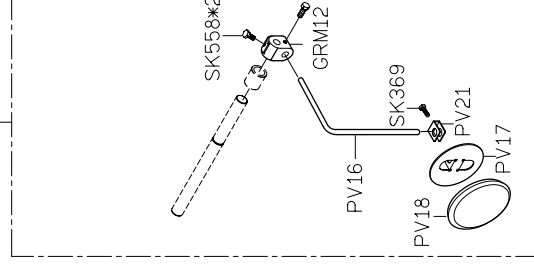
GTY08-A 油盤




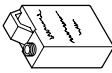







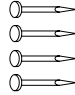



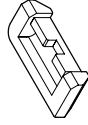
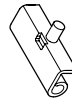





RJ01-A 繞線器



GPV16-A1 腳弓



01 說明書	14 押具提昇軸	15*4 防震橡膠墊	16 油壺	GMY01 防塵罩
MY11 六角板手	MY13 六角板手	GXXX*4 梭子	KY02-A 油罐	KY03 油壺
				
KY09 開口板手	KY10 六角板手	KY16 一字起子	KY17 一字起子	GKY26F 工具袋
				
KZ03 乾燥劑	PY05*4 鐵釘	LY01 開口板手	LY02 木頭桿	針*4
				
LY04*2 後鈕墊	LY05*2 後鈕	☆103D 切刀	TY02 零件圖	☆TP156 使用說明書
				

MODEL	T828-42		T828-45		T828-47	T828-48		T828-72		T828-75	
	M	H	M	H	L	L	M	H	M	H	
PARTS NO	G307	G307	G307	G307	G307	G307	G310	G310	G310	G310	G310
	KY17	KY17	KY14	KY14	KY17	KY14	KY17	KY17	KY17	KY14	KY14
	DPX5#14	DPX5#22	DPX5#14	DPX5#22	DPX5#11	DPX5#11	DPX5#14	DPX5#22	DPX5#14	DPX5#14	DPX5#22



T828

高林股份有限公司 KAULIN MFG. CO., LTD.